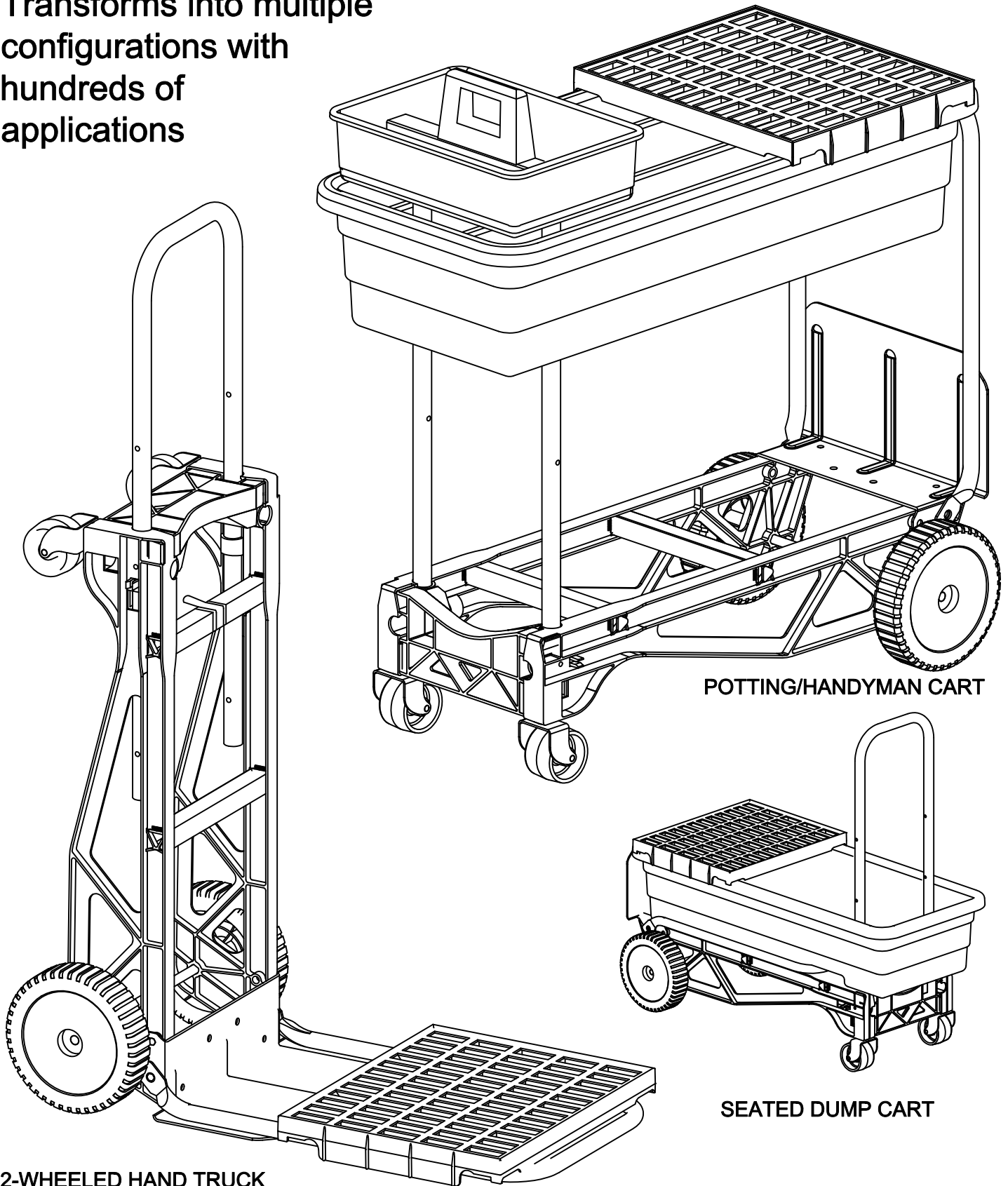


# Harper Home & Garden Cart

## All in one

Transforms into multiple configurations with hundreds of applications



2-WHEELED HAND TRUCK

POTTING/HANDYMAN CART

SEATED DUMP CART

**IMPORTANT:**

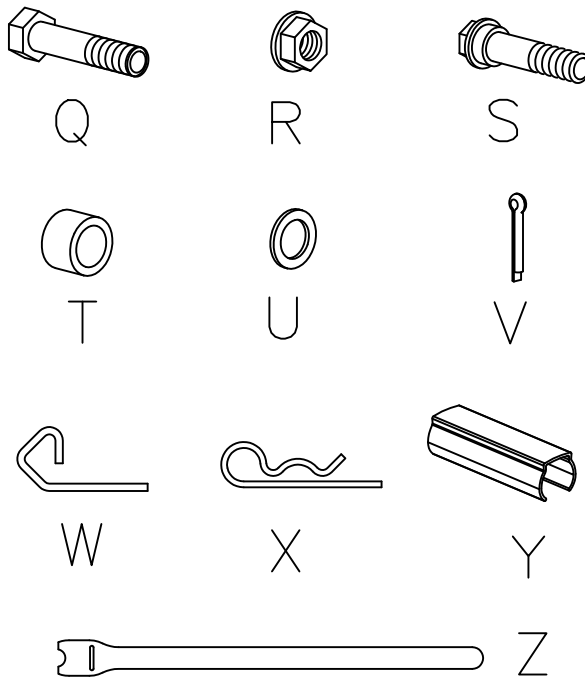
Check parts and hardware lists against contents of this package. If parts are missing please contact us at 800-835-4099.

**TOOLS REQUIRED:**  
1/2" & 9/16" WRENCHES  
STANDARD PLIERS

**PARTS LISTING**

| LTR | QTY | DESCRIPTION    | PART NUMBER   |
|-----|-----|----------------|---------------|
| A   | 1   | FRAME          | PJY-F         |
| B   | 1   | TOE PLATE      | PBSABLK-1     |
| C   | 1   | NOSE EXTENSION | FAP PJYEN     |
| D   | 1   | AXLE           | AX 1/2N2      |
| E   | 2   | WHEEL          | WH 22Y        |
| F   | 2   | CASTER         | WH 28         |
| G   | 1   | HANDLE         | FAP PJY-2     |
| H   | 1   | TUB            | MISC P PJY-7  |
| I   | 1   | SHELF          | MISC P PJY-4  |
| J   | 1   | BASKET         | MISC P PJY-10 |

**HARDWARE**



**HARDWARE LISTING**

| LTR | QTY | DESCRIPTION   | PART NUMBER     |
|-----|-----|---------------|-----------------|
| Q   | 2   | BOLT          | HDW SC 3/8X1.5H |
| R   | 4   | NUT           | HDW N MA15-15   |
| S   | 2   | SHOULDER BOLT | HDW SB 3/8X1.5  |
| T   | 4   | SPACER        | WH 22YB         |
| U   | 2   | WASHER        | HDW BU#1        |
| V   | 2   | COTTER PIN    | HDW P 106-12    |
| W   | 2   | LOCK PIN      | HDW P PGDT      |
| X   | 2   | HITCH PIN     | HDW P JDT-12    |
| Y   | 4   | BAG CLIP      | MISC P PJY      |
| Z   | 1   | VELCRO LATCH  | MISC P VLCR     |

**ALL-PURPOSE DOLLY**

**Care Instructions**

Your new cart is designed to provide years of dependable and safe service.

To maintain and extend the cart's life do not exceed the weight capacity:

2 or 4-wheeled handtruck: 300 lbs.  
Tub or Shelf: 200 lbs.

Do not drop heavy or sharp objects into the tub as this will cause damage.

Do not use the cart to carry children.

Do not stand on any part of the cart.

To extend the life of your cart do not store the cart in direct sunlight.

**PRODUCT WARRANTY:** The All-Purpose Dolly has a 1 year warranty on product or material defects under normal use.

**IMPORTANT:**

Customer must provide warranty code when requesting replacement parts. For warranty claims call 1-800-835-4099 or see us at [www.harpertrucks.com](http://www.harpertrucks.com)

WARRANTY CODE

AAAC

FORM PJY0  
REV 06/07/06

**MADE IN THE USA WITH PRIDE**

# Assembly Instructions

**STEP 1.** Fasten toe plate (B) through top holes to frame (A) with 2 bolts (Q) and 2 nuts (R). Do not tighten nuts at this time.

**STEP 2.** Fasten nose extension (C) to frame (A) through the lower holes in toe plate (B). Use 2 shoulder bolts (S) and 2 nuts (R). Do not tighten nuts at this time.

**STEP 3.** Slide axle (D) through frame (A) axle holes and place 1 spacer (T) on each side.

**STEP 4.** Slide wheels (E) onto the axle (D) with smooth side out. Follow with 1 spacer (T) and 1 washer (U) on each side.

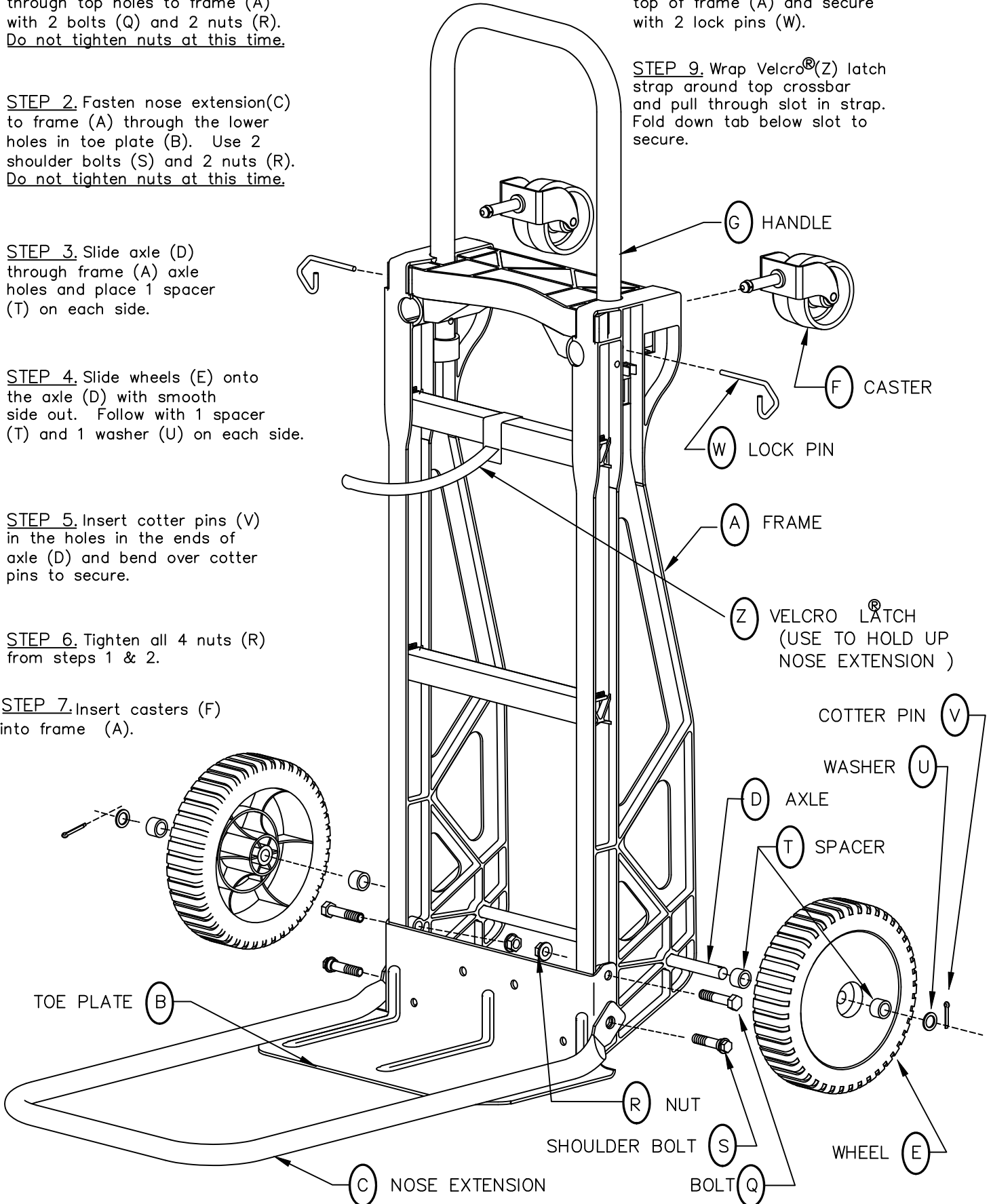
**STEP 5.** Insert cotter pins (V) in the holes in the ends of axle (D) and bend over cotter pins to secure.

**STEP 6.** Tighten all 4 nuts (R) from steps 1 & 2.

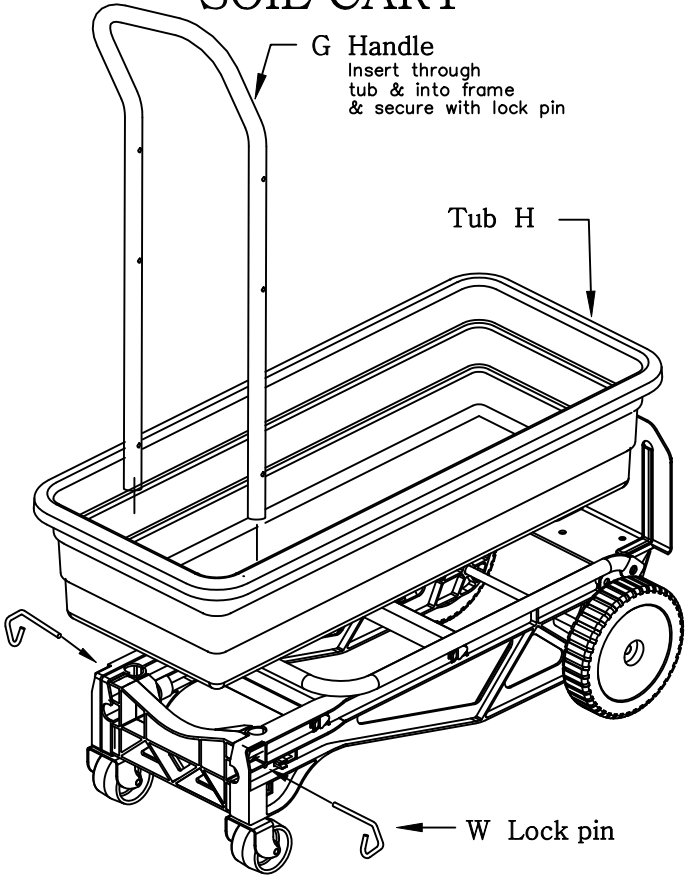
**STEP 7.** Insert casters (F) into frame (A).

**STEP 8.** Insert handle (G) into top of frame (A) and secure with 2 lock pins (W).

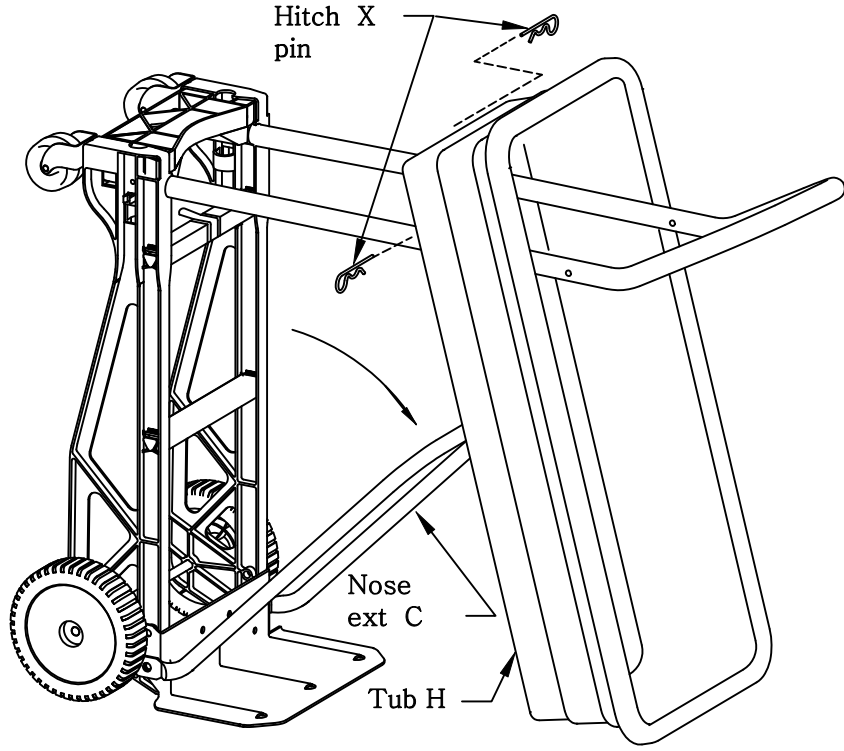
**STEP 9.** Wrap Velcro® (Z) latch strap around top crossbar and pull through slot in strap. Fold down tab below slot to secure.



## SOIL CART



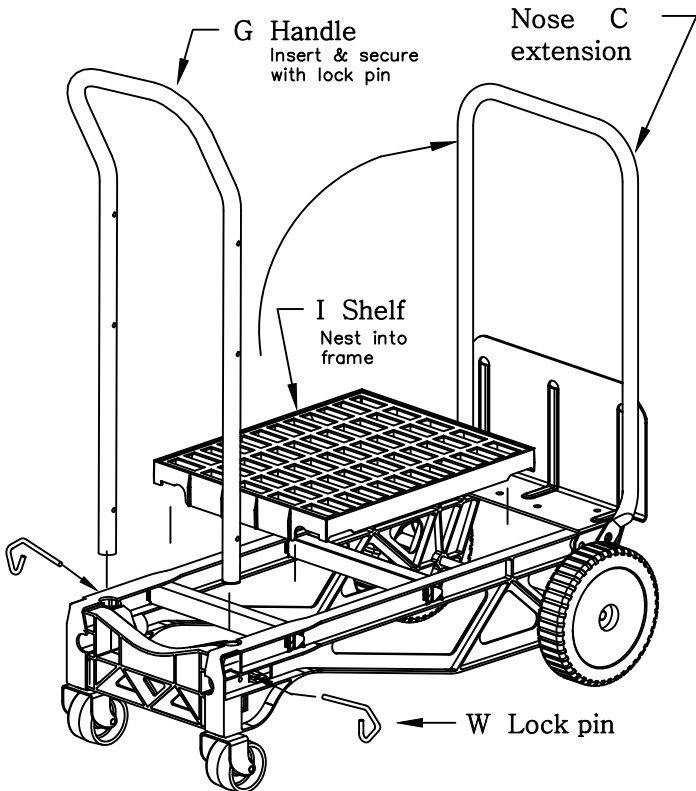
## MECHANICS/GARDEN CART



To transform to a mechanics/garden cart

1. Slide tub (H) away from frame.
2. Fold down nose extension (C).
3. Slide tub lip over nose extension.
4. Insert hitch pins (X).
5. Set up onto 4 wheels.

## 4-WHEEL CART



## LEAF BAG HOLDER

